

Platinum.™

KITCHEN APPLIANCES COLLECTION 2020



NOVER



PLATINUM APPLIANCES

Exclusive to the kitchen industry since 2001

NOVER

Australian owned and family operated, Nover have been in business since 1954. Starting out as a wholesale distributor to the kitchen and cabinet making industry, Nover have grown to become a popular and trusted supplier over the last 66 years. Today, we have an extensive branch network that covers 14 areas in NSW, QLD and VIC, as well as a reseller network covering SA, WA and TAS. As an Australian owned, local business, we have the ability to be flexible - working with our customers to offer personalised solutions.

Nover's vision is to become the first choice provider to our customers and the wider industry. In recent years, working toward this, we have spent a great deal of time sourcing and securing our own exclusive brands through some of the world's leading manufacturers. This has helped Nover to become a truly unique supply partner - providing customers with an exceptional assortment of quality products that are available exclusively through Nover.



Steve Cowley
Managing Director

Platinum.™

This select offering includes our range of Platinum Appliances. Introduced in 2001, Platinum is now a well-established brand of quality appliances. Platinum Appliances are sourced specifically for Nover's customers to ensure they are stylish and suit modern lifestyles and needs - whilst also being effortlessly functional and representing outstanding value for money.

Nover pride ourselves on being more than just a supplier - with an unbeatable range, excellent service, extensive local presence, and, with the benefit of being locally owned, the ability to personalise solutions for our customers. We are very proud to present the Platinum Appliance Collection featured in this brochure for your consideration. We believe it is a brilliant range of elegant, practical and truly reliable products that would suit any home and lifestyle.

Contents

Ovens	6
Microwaves	7
Cooktops	8-9
Range Hoods	10-13
Dishwashers	14
Sinks & Mixers	15
Product Dimensions	16-22
Oven Functions	23

All Platinum products come complete with an Australian based manufacturer's warranty for your complete peace of mind. In the rare event that you require assistance, our Platinum Customer Care team is here to help!

☎ 1300 985 815

✉ customercare@platinumappliances.com.au

📍 PO Box 7785, Norwest, NSW 2153

🌐 platinumappliances.com.au

Visit our website www.platinumappliances.com.au for detailed product information, warranty registration, user manuals, FAQ's, recipes and more.



Sinks*



Mixers*



Appliances



Microwaves

* See warranty card for full terms and conditions



PLATINUM APPLIANCES

Simply beautiful kitchen appliances, engineered
for everyday cooking



900 ELECTRIC OVEN

Model AUPL-M909SS
Code 010325

- 9 Functions
- Digital Timer
- Large 100L Capacity
- Triple Glazed Panoramic Door
- 2 Shelves, 1 Baking Tray & Insert



Wattage 3400W
Connection 15A plug



600 ELECTRIC OVEN

Model AUPL-M613AX
Code 010377

- 13 Functions
- Electronic Controls and Display
- Large 82L Capacity
- Triple Glazed Panoramic Door
- 2 Shelves, 1 Baking Tray & Insert



Wattage 2900W
Connection 15A plug



600 ELECTRIC OVEN

Model AUPL-F605AX
Code 010375

- 5 Functions
- 120min Auto Timer
- Large 82L Capacity
- Triple Glazed Panoramic Door
- 2 Shelves, 1 Baking Tray & Insert



Wattage 1900W
Connection 10A plug



600 BUILT-IN MICROWAVE

Model AUPL-MW28BI

Code 010428

- 900W Microwave Power
- 28L Cavity Size
- 8 Auto Cooking Menus
- Includes Trim Kit (Installed)
- Child Safety Lock

Wattage 900W

Connection 10A plug



PLATINUM OVENS & MICROWAVES

Sleek stainless steel facades with simple to use operation



900 GAS COOKTOP

Model AUPL-GWF91SS

Code 010333

- High Speed Wok Burner
- Cast Iron Trivets
- Natural & ULP Gas
- Electronic Ignition
- Flame Failure Protection

Total Consumption 40.68MJ/h

Connection 10A plug



600 GAS COOKTOP

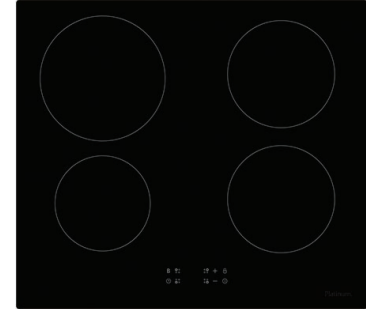
Model AUPL-GWF61SS

Code 010332

- High Speed Wok Burner
- Flame Failure Protection
- Electronic Ignition
- Natural & ULP Gas
- Cast Iron Trivets

Wattage 29.16MJ/h

Connection 10A plug



600 INDUCTION COOKTOP

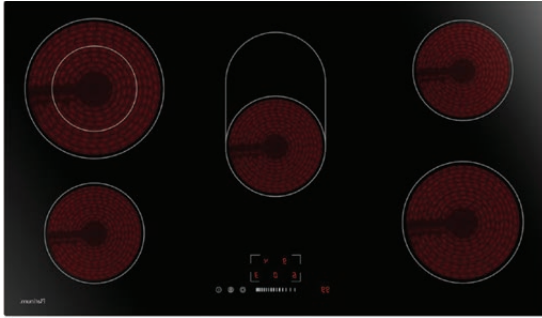
Model AUPL-IT61B

Code 010378

- 9 Power Levels
- 4 Zones with Boost
- Touch Control
- Residual Heat Indicator
- Child Lock

Wattage 7200W

Connection Hardwired



900 CERAMIC COOKTOP

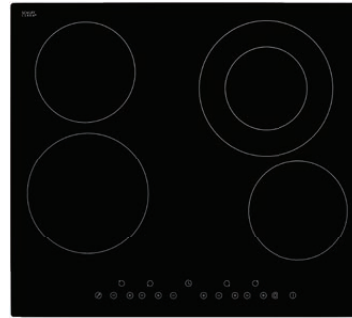
Model AUPL-CT90

Code 010334

- 9 Power Levels
- 5 Zones with Boost
- Touch Control
- Residual Heat Indicator
- Child Lock

Wattage 8400W

Connection Hardwired



600 CERAMIC COOKTOP

Model AUPL-VCR4T

Code 010382

- 9 Power Levels
- High Speed Ribbon Elements
- Touch Control and Individual Timers
- Residual Heat Indicator
- Child Lock

Wattage 6400W

Connection Hardwired

PLATINUM RANGE HOODS

With designer lines and a great range to choose from



900 GLASS T-CANOPY

Model AUPL-GTC90XL

Code 010349

- 700m³/h Extraction
- Ducted or Recirculated*
- LED Lights
- 3 Speed Settings
- Dishwasher Safe Filters
- 60dB Noise Level

Connection 10A plug

Ducting Size Ø150

*with optional carbon filters sold separately



900 GLASS CANOPY

Model AUPL-GC91XL

Code 010347

- 800m³/h Extraction
- Ducted or Recirculated*
- LED Lights
- 3 Speed Settings
- Dishwasher Safe Filters
- 74dB Noise Level

Connection 10A plug

Ducting Size Ø150

*with optional carbon filters sold separately



900 STANDARD CANOPY

Model AUPL-SC91XL

Code 010342

- 750m³/h Extraction
- Ducted or Recirculated*
- LED Lights
- 3 Speed Settings
- Dishwasher Safe Filters
- 68dB Noise Level

Connection 10A plug

Ducting Size Ø150



600 STANDARD CANOPY

Model AUPL-SC61XL

Code 010344

- 750m³/h Extraction
- Ducted or Recirculated*
- LED Lights
- 3 Speed Settings
- Dishwasher Safe Filters
- 68dB Noise Level

Connection 10A plug

Ducting Size Ø150



900 UNDERMOUNT HOOD

Model AUPL-UH90XL
Code 0103452

- 700m3/h Extraction
- Ducted or Recirculated*
- LED Lights
- 3 Speed Settings
- Dishwasher Safe Filters
- 58dB Noise Level

Connection 10A plug
Ducting Size Ø150

*with optional carbon filters sold separately



750 UNDERMOUNT HOOD

Model AUPL-UH75AXL
Code 0103465

- 700m3/h Extraction
- Ducted or Recirculated*
- LED Lights
- 3 Speed Settings
- Dishwasher Safe Filters
- 58dB Noise Level

Connection 10A plug
Ducting Size Ø150



520 UNDERMOUNT HOOD

Model AUPL-UH52AXL
Code 010346

- 700m3/h Extraction
- Ducted or Recirculated*
- LED Lights
- 3 Speed Settings
- Dishwasher Safe Filters
- 58dB Noise Level

Connection 10A plug
Ducting Size Ø150



900 SLIDEOUT HOOD

Model AUPL-SH90XL

Code 0103455

- 440m³/h Extraction
- Ducted or Recirculated*
- LED Lights
- 40 & 80mm Front Rails Included
- Dishwasher Safe Filters
- 59dB Noise Level

Connection 10A plug

Ducting Size Ø125

*with optional carbon filters sold separately



600 SLIDEOUT HOOD

Model AUPL-SH60XL

Code 0103454

- 440m³/h Extraction
- Ducted or Recirculated*
- LED Lights
- 40 & 80mm Front Rails Included
- Dishwasher Safe Filters
- 60dB Noise Level

Connection 10A plug

Ducting Size Ø125



600 FREESTANDING DISHWASHER

Model AUPL-DW12AX
Code 010412

- 12 Place Settings
- 4 Programs - Intensive, Eco, 90min, Rapid
- 4.5 Stars WELS - 10.5L per wash
- 3 Star Energy Rating

Total Power 2100W
Connection 10A plug



450 FREESTANDING DISHWASHER

Model AUPL-DW9AX
Code 0104021

- 9 Place Settings
- 4 Programs - Intensive, Eco, 90min, Rapid
- Height Adjustable Upper Basket
- 3 Star WELS - 11.2L per wash
- 3 Star Energy Rating

Total Power 2100W
Connection 10A plug



Please note
coloured panel
and handle are
for illustrative
purposes only

600 INTEGRATED DISHWASHER

Model AUPL-DW14BI
Code 010413

- 14 Place Settings
- Cutlery Drawer
- 8 Programs + Extra Drying
- Sliding Height Adjustment - Upper Basket
- Electric AQUASTOP Protection
- 4.5 Star WELS - 12.5L per wash
- 3.5 Star Energy Rating
- Delay Start - 1-24 Hours

Total Power 2100W
Connection 10A plug



PLATINUM SINKS & MIXERS

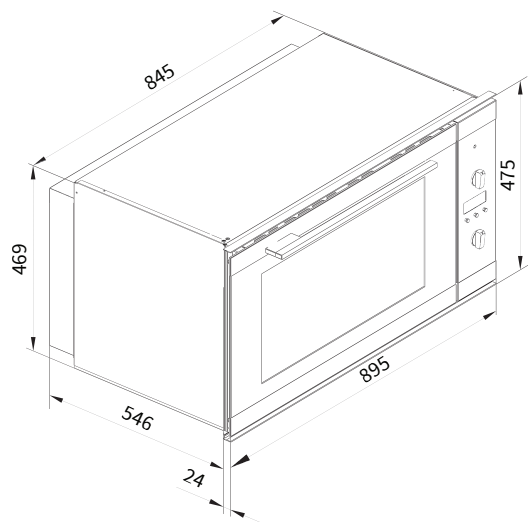
Simply beautiful kitchen sinks and mixers - a clever choice for any kitchen

PLATINUM SINKS & MIXERS

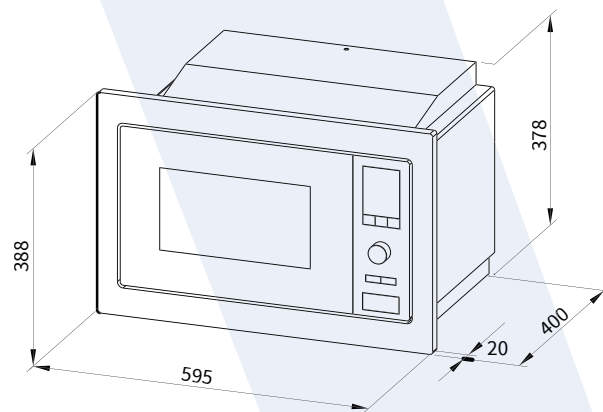
Our Platinum Sink & Mixer Collection is a brilliant range of elegant, practical and truly reliable products that would suit any home and lifestyle - with an unbeatable range, excellent service, extensive local presence, and, with the benefit of being locally owned.

FOR OUR FULL RANGE OF SINKS &
MIXERS PLEASE VISIT
WWW.PLATINUMAPPLIANCES.COM.AU

PRODUCT DIMENSIONS

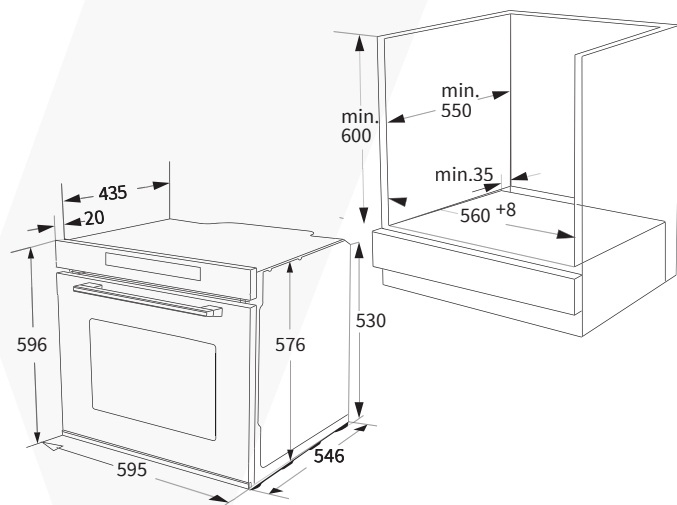


Model AUPL-M909SS
Code 010325



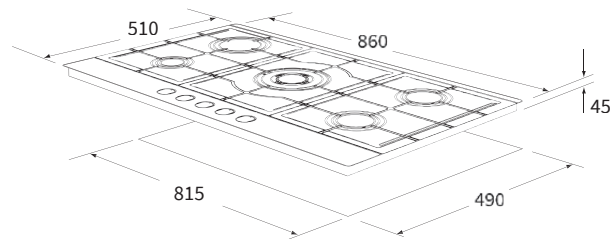
Model AUPL-MW28BI
Code 010428

PRODUCT DIMENSIONS



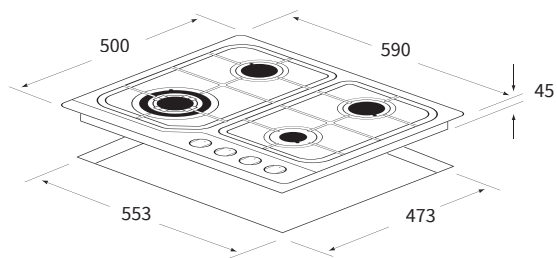
Model AUPL-M613AX
Code 010377

Model AUPL-F605AX
Code 010375

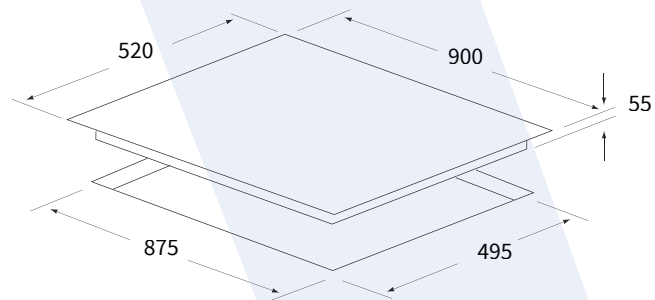


Model AUPL-GWF91SS
Code 010333

PRODUCT DIMENSIONS

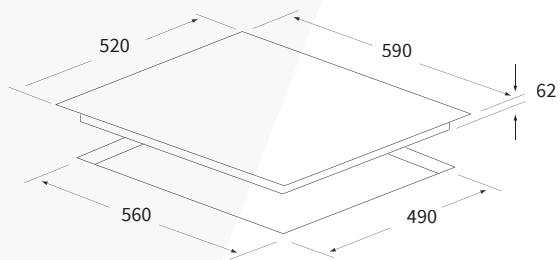


Model AUPL-GWF61SS
Code 010332



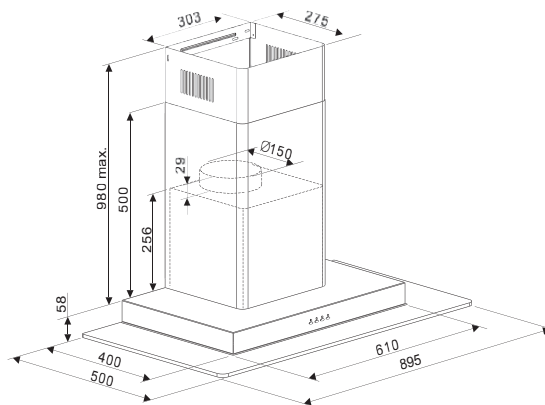
Model AUPL-CT90
Code 010334

PRODUCT DIMENSIONS



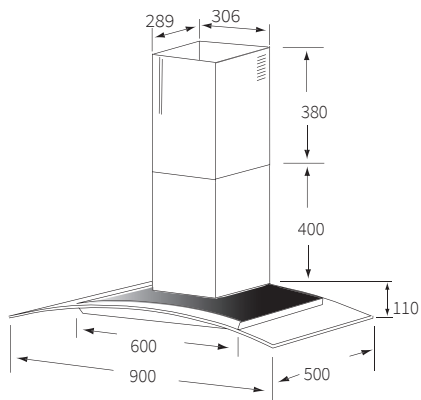
Model AUPL-VCR4T
Code 010382

Model AUPL-IT61B
Code 010378

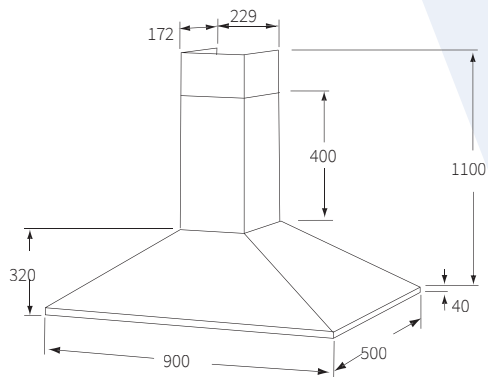


Model AUPL-GTC90XL
Code 010349

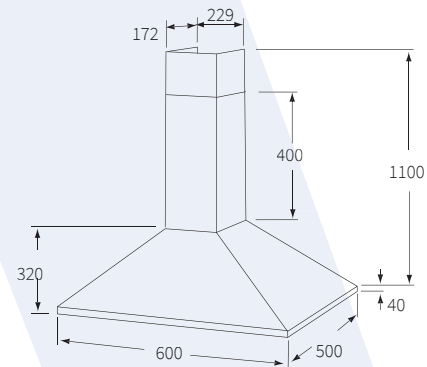
PRODUCT DIMENSIONS



Model AUPL-GC91XL
Code 010347

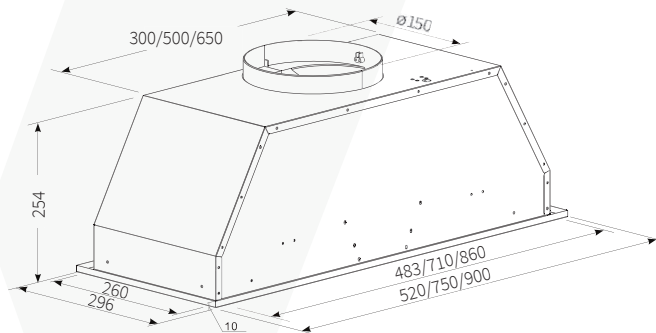


Model AUPL-SC91XL
Code 010342



Model AUPL-SC61XL
Code 010344

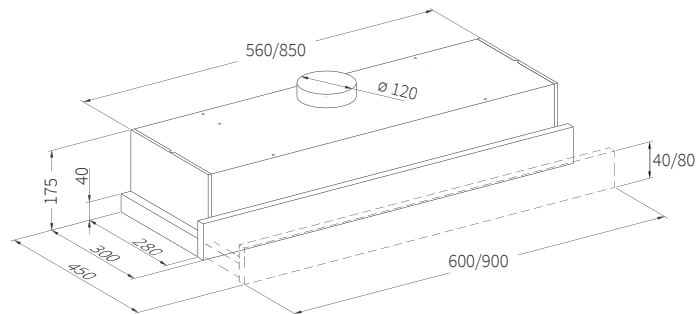
PRODUCT DIMENSIONS



Model AUPL-UH90XL
Code 0103452

Model AUPL-UH75AXL
Code 0103465

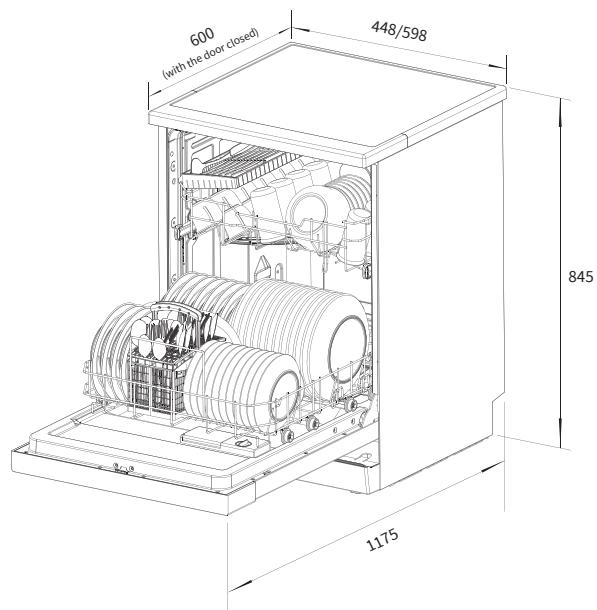
Model AUPL-UH52XL
Code 010346



Model AUPL-SH60XL
Code 0103454

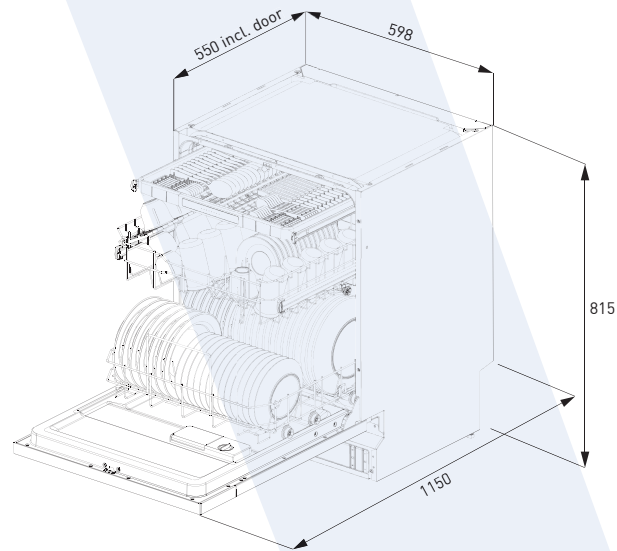
Model AUPL-SH90XL
Code 0103455

PRODUCT DIMENSIONS



Model AUPL-DW9AX
Code 0104021

Model AUPL-DW12AX
Code 010412



Model AUPL-DW14BI
Code 010413

OVEN FUNCTIONS



LIGHT

The light function enables the user to observe the progress of cooking without opening the oven door. The light remains on in all cooking functions.



DEFROST

The circulation of air at room temperature enables quicker thawing of frozen food without using any heating elements) It's a gentle but quick way to speed up the defrosting time and thawing of ready-made dishes and cream filled products.



FAN FORCED (CONVECTION)

A circular element around the convection fan provides an additional source of heat for convection style cooking. In fan forced mode (convection mode) the fan automatically comes on to improve air circulation within the oven providing an even cooking temperature in the entire volume of the oven. The temperature can best set within the ranges of 50-250°C.



CONVENTIONAL (NATURAL CONVECTION | TOP & BOTTOM ELEMENT)

The Top and Bottom Elements work together to provide conventional cooking. The temperature can be set within the ranges of 30-250°C.



GRILL

The temperature in this function can be set within the range of 150-250C. Best results can be obtained from using top shelf for smaller items and lower shelves for larger items.



DOUBLE GRILL

Both Top and Grill element work in conjunction in this function simultaneously giving a rapid and even grilling heat, effectively browning the top service of the food. The temperature in this function can be set within the range of 150-250C.



BOTTOM ELEMENT (BAKE)

A concealed element in the bottom of the oven provides heat focused on the base of the dishes in the oven without browning them. This is ideal for slow cooking dishes such as casseroles and stews. The temperature can be set within the ranges of 30-220°C.



FAN ASSISTED DOUBLE GRILL

This is the double grill function working in conjunction with the convection fan. The temperature can be set within the range of 150-250°C.



FAN ASSISTED CONVENTIONAL

The combination of the fan, top and bottom elements provide a more even heat transference, saving up to 40% of energy. Dishes tend to be lightly browned on the outside and moist on the inside when using this function.



PRE-HEATING

On the pre-heating function, the oven will heat up to the desired temperature quickly.



PIZZA FUNCTION

Pizza is perfectly cooked with extra heat from the bottom element, creating the perfectly crispy pizza base. The Bottom element works in conjunction with Fan Forced Element.



ECO FAN FORCED (ECO CONVECTION)

The EC mode optimizes the cooking process at the maximum energy efficiency level, decreasing energy consumption. This exceedingly environmentally friendly feature is perfect from frozen of simple foods.



DOUGH PROOFING

This function provides a warm environment, perfect for proving yeast dough for excellent results.



platinumappliances.com.au

As part of Platinum Appliances ongoing development program, product specifications may change without notice. All dimensions are provided as a guide only and should be checked prior to installation. "Nover", "Platinum" and related logos and variations, are trademarks or registered trademarks, in Australia, of Nover & Co Pty Ltd. © 2020 Nover & Co Pty Ltd.

Warranty: Our goods come with guarantees that cannot be excluded under the Australian Consumer Law. You are entitled to a replacement or refund for a major failure and for compensation for any other reasonably foreseeable loss or damage. You are also entitled to have the goods repaired or replaced if the goods fail to be of acceptable quality and the failure does not amount to a major failure. Please see www.platinumappliances.com.au for complete warranty details.

NOVER & CO PTY LIMITED

ABN 15 001 706 038

19 WONDERLAND DRIVE, EASTERN CREEK NSW 2766
LOCKED BAG 90, WETHERILL PARK BUSINESS CENTRE NSW 1851

t 1300 668 371 f 1300 668 372 e info@nover.com.au w www.nover.com.au

070014

Platinum.™ NOVER